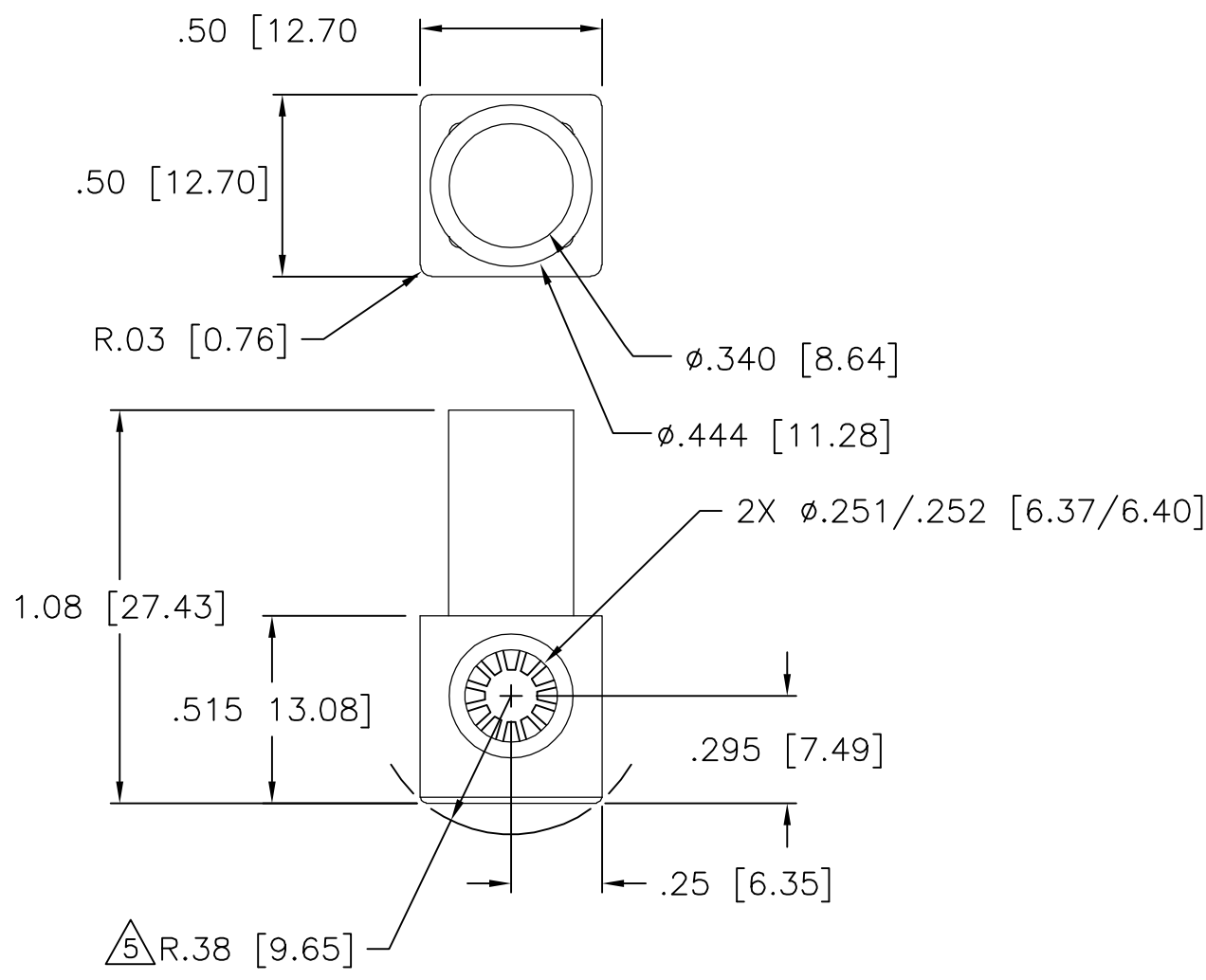


THIS DRAWING IS UNPUBLISHED. RELEASED FOR PUBLICATION  
 © COPYRIGHT - BY TYCO ELECTRONICS CORPORATION. ALL RIGHTS RESERVED.

LOC	DIST	REVISIONS					
GP	00	P	LTR	DESCRIPTION	DATE	DWN	APVD
			A	RELEASED	02MAR06	RG	MP



- 6. FOR TERMINATION REFER TO 1926079-1
- 5. ROTATION ARC.
- 4. FINISH:  
 SOCKET HOUSING - SILVER PLATED .000200 MIN THK.  
 OVER ELECTROLESS NICKEL PLATE  
 .000040 MIN THK.  
 CROWN - GOLD PLATED .000030 MIN THK OVER  
 ELECTROLESS NICKEL PLATE .000040 MIN. THK
- 3. MATERIAL:  
 CROWN CONTACT - BERYLLIUM COPPER  
 SOCKET HOUSING - TELLURIUM COPPER ALLOY  
 INSULATOR - THERMOPLASTIC, 94V-0, COLOR PER TABLE
- 2. ITEMS PROVIDED TO THIS SPECIFICATION SHALL BE IDENTIFIED ON THE CONTAINER WITH THE FOLLOWING INFORMATION:  
 PART NUMBER AND DATE CODE OF MANUFACTURE.
- 1. PART NUMBER CHANGES AND/OR DESIGN CHANGES AFFECTING ITEM INTERCHANGEABILITY REQUIRE PRIOR TYCO APPROVAL AND AUTHORIZATION BY REVISION TO THIS DRAWING.

RED	6648236-2
BLACK	6648236-1
COLOR	PART NUMBER

THIS DRAWING IS A CONTROLLED DOCUMENT.		DWN R.GRZYBOWSKI 02MAR2006	Tyco Electronics Corporation Harrisburg, PA 17105-3608													
DIMENSIONS: INCHES		CHK M.PERCHERKE 02MAR06														
TOLERANCES UNLESS OTHERWISE SPECIFIED:		APVD M.PERCHERKE 02MAR06	NAME CROWN SOCKET JUMPER, SIZE #4 W/ #4 CRIMP BARREL,													
<table border="1"> <tr><td>0 PLC</td><td>± -</td></tr> <tr><td>1 PLC</td><td>± -</td></tr> <tr><td>2 PLC</td><td>± .02</td></tr> <tr><td>3 PLC</td><td>± .010</td></tr> <tr><td>4 PLC</td><td>± -</td></tr> <tr><td>ANGLES</td><td>± .5</td></tr> </table>		0 PLC	± -	1 PLC	± -	2 PLC	± .02	3 PLC	± .010	4 PLC	± -	ANGLES	± .5	PRODUCT SPEC -	APPLICATION SPEC -	
0 PLC	± -															
1 PLC	± -															
2 PLC	± .02															
3 PLC	± .010															
4 PLC	± -															
ANGLES	± .5															
MATERIAL -	FINISH -	WEIGHT -	SIZE A3	CAGE CODE 00779	DRAWING NO C-6648236	RESTRICTED TO -										
CUSTOMER DRAWING			SCALE 1:1	SHEET 1 OF 1	REV A											

RAPID LOCK ELCON